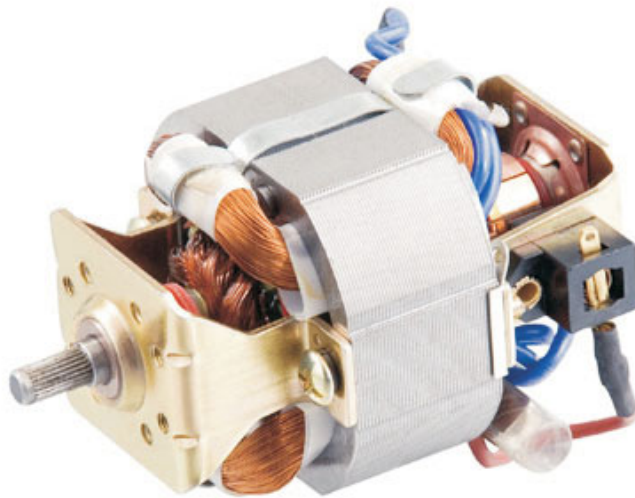


UNIVERSAL MOTOR
FOR ELECTRIC POWER TOOLS

GUANGZHOU HAOQING MOTOR CO.,LTD

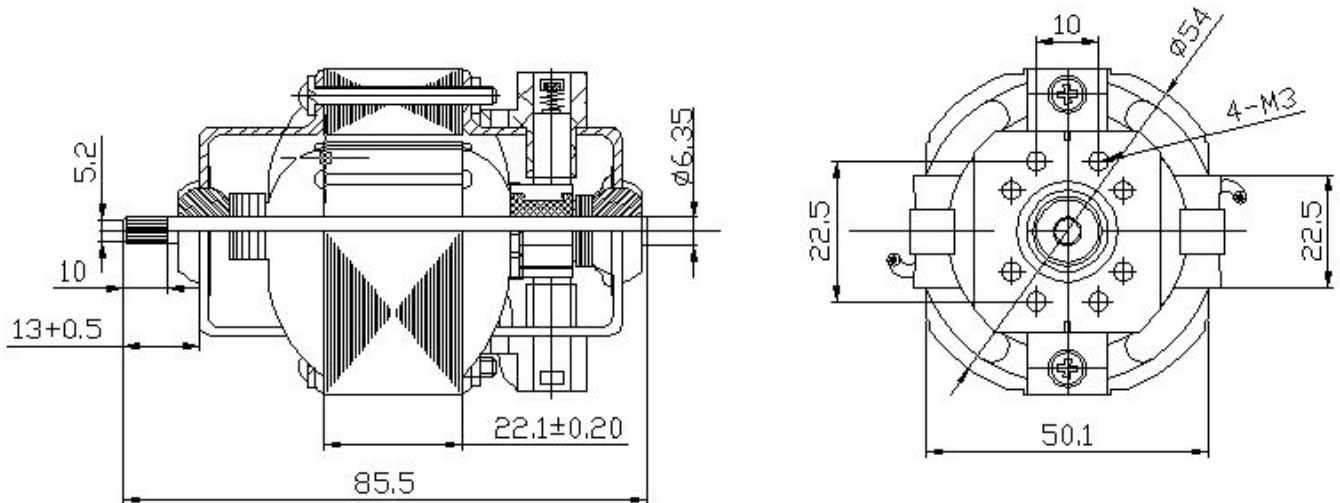
UC54-22 UNIVERSAL MOTOR



APPLICATION—

- Air pump
- Electrical knife
- Handy sander
- Mower
- And so on

MECHANICAL DIMENSIONS

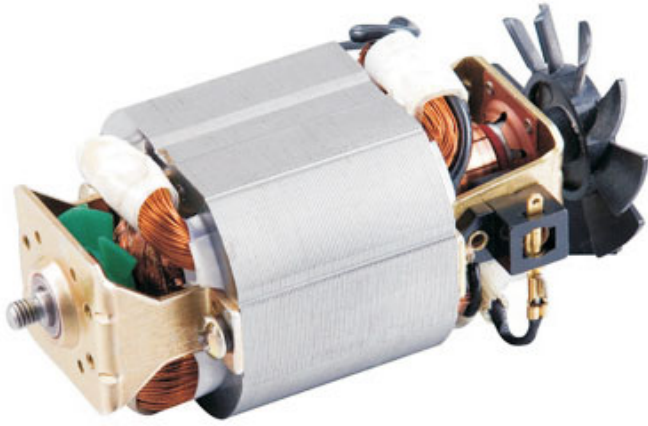


TECHNICAL DATA

Model	Voltage (V)	Frequency (Hz)	No-Load			On-Load			Input power (W)	Output power (W)	Eff (%)
			Speed (rpm)	Current (A)	Power (W)	Speed (rpm)	Torque (N.m)	Current (A)			
UC54-22	220	50/60	23000	0.65	65	10000	0.07	1.75	180	92	51.2
UC54-22	110	50/60	23000	0.3	65	10000	0.07	0.85	180	92	51.2

Remark: We can produce according to customers requirement.

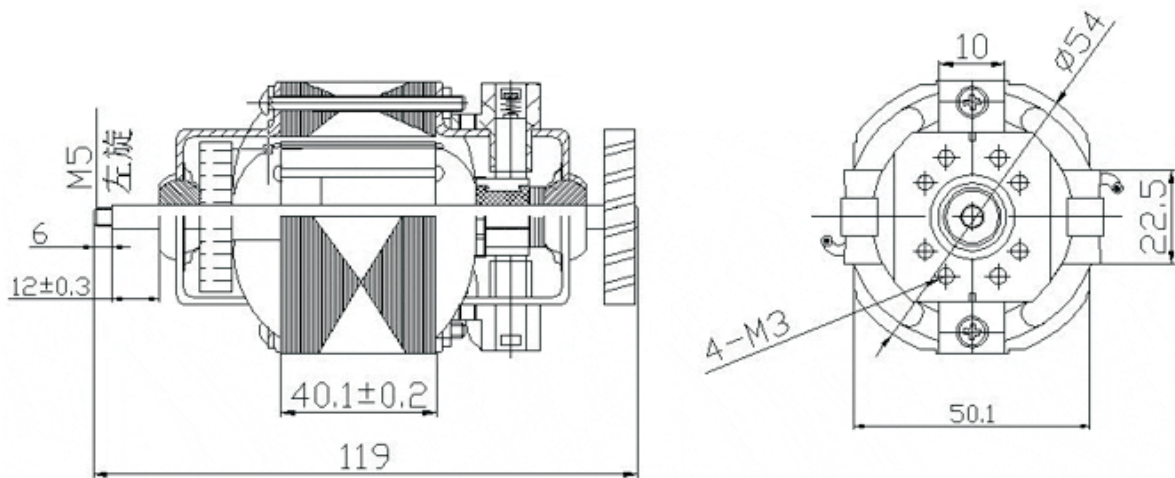
UC54-40 UNIVERSAL MOTOR



APPLICATION—

- Electrical knife
- Handy sander
- Mower
- Electric drill
- And so on

MECHANICAL DIMENSIONS

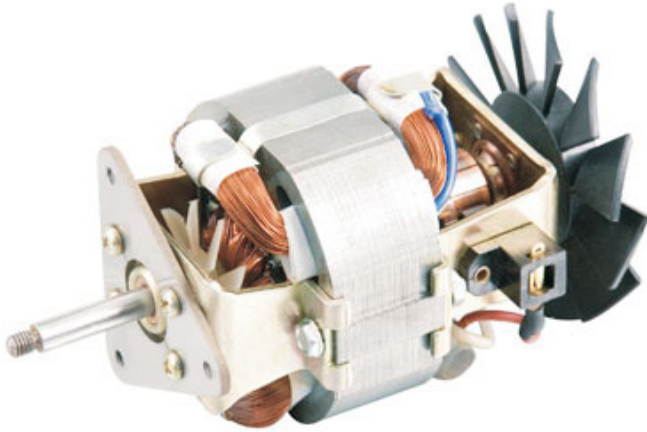


TECHNICAL DATA

Model	Voltage (V)	Frequency (Hz)	No-Load			On-Load			Input power (W)	Output power (W)	Eff (%)
			Speed (rpm)	Current (A)	Power (W)	Speed (rpm)	Torque (N.m)	Current (A)			
UC54-40	220	50/60	23000	0.42	90	10600	0.115	1.08	247.6	127.5	51.2

Remark: We can produce according to customers requirement.

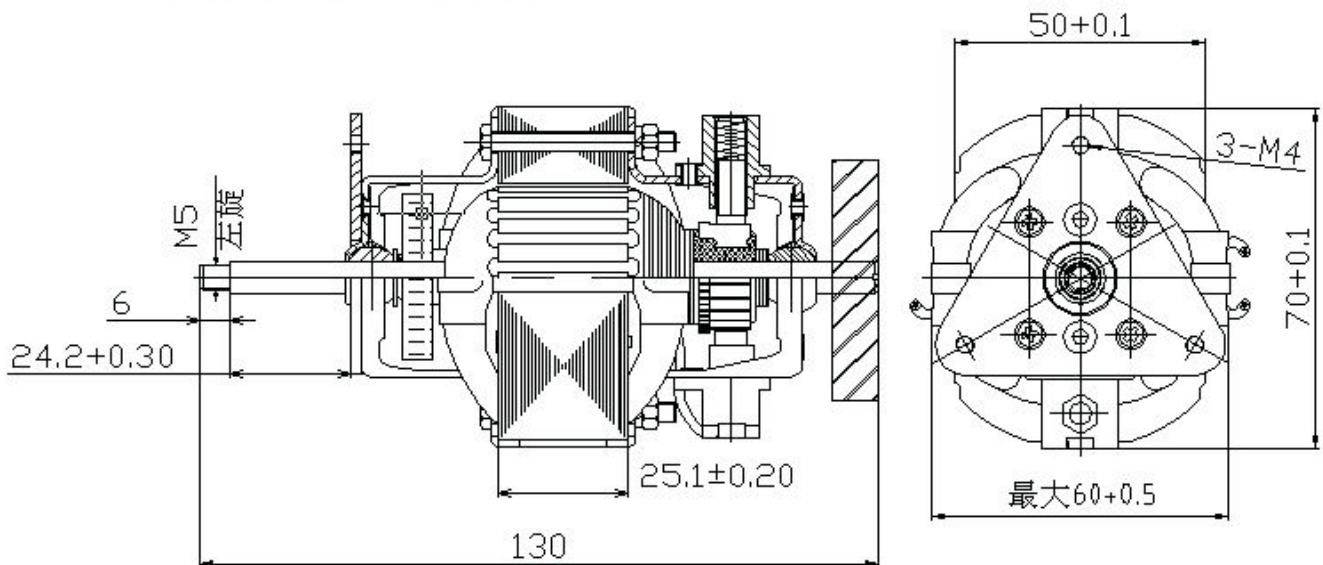
UC70-25 UNIVERSAL MOTOR



APPLICATION—

- Handy sander
- Mower
- Brush cutter
- And so on

MECHANICAL DIMENSIONS

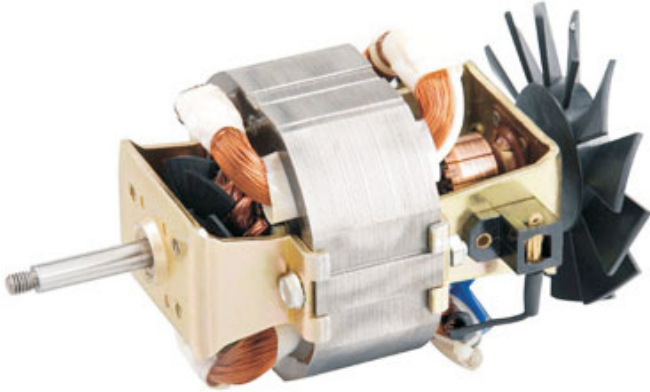


TECHNICAL DATA

Model	Voltage (V)	Frequency (Hz)	No-Load			On-Load			Input power (W)	Output power (W)	Eff (%)
			Speed (rpm)	Current (A)	Power (W)	Speed (rpm)	Torque (N.m)	Current (A)			
UC70-25	220	50/60	18500	0.475	103	5802	0.181	1.463	300	129.9	43.3

Remark: We can produce according to customers requirement.

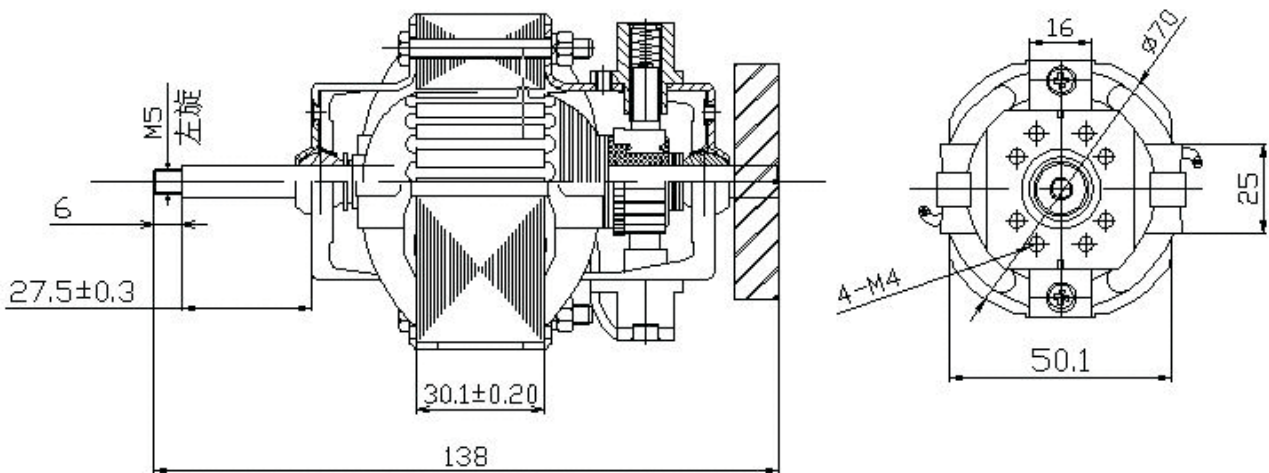
UC70-30 UNIVERSAL MOTOR



APPLICATION—

- Handy sander
- Mower
- Brush cutter
- And so on

MECHANICAL DIMENSIONS

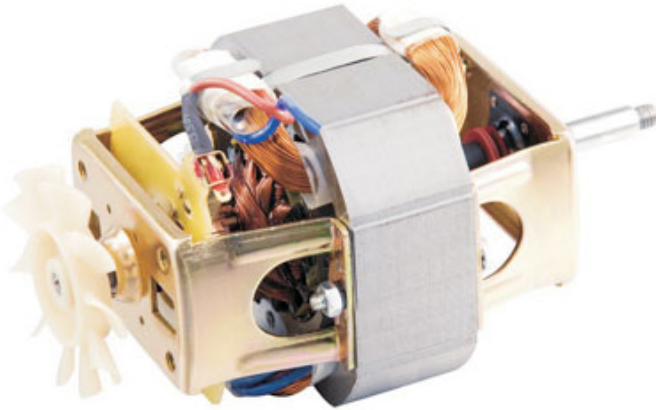


TECHNICAL DATA

Model	Voltage (V)	Frequency (Hz)	No-Load			On-Load			Input power (W)	Output power (W)	Eff (%)
			Speed (rpm)	Current (A)	Power (W)	Speed (rpm)	Torque (N.m)	Current (A)			
UC70-30	220	50/60	16500	0.56	121.8	5207	0.202	1.492	301	136.1	45.2

Remark: We can produce according to customers requirement.

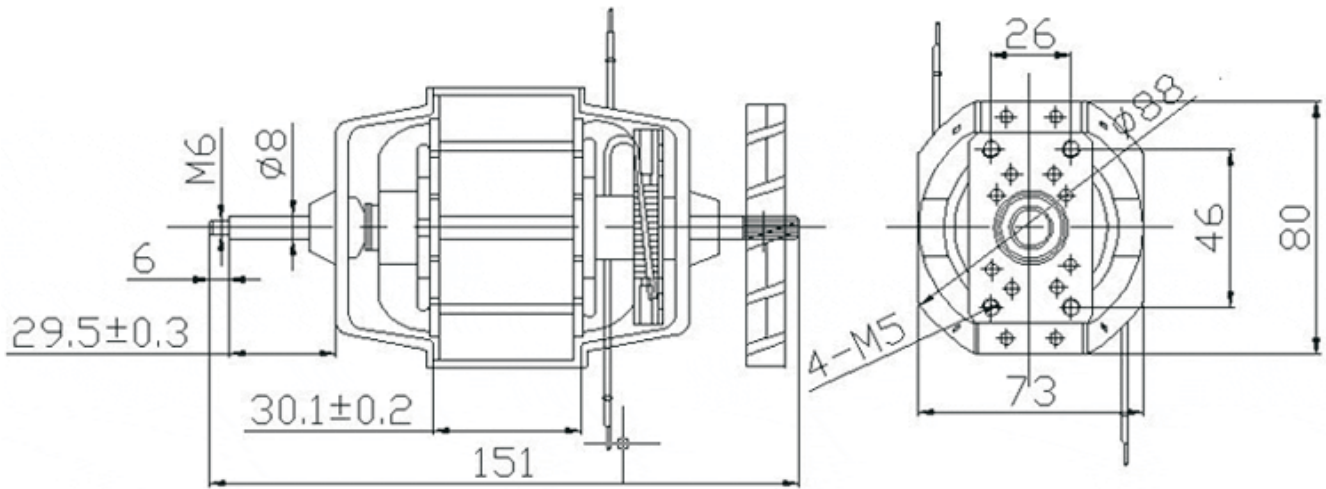
UC88-30 UNIVERSAL MOTOR



APPLICATION—

- Air pump
- Mower
- Door operator
- Harvester
- Handy sander and so on

MECHANICAL DIMENSIONS

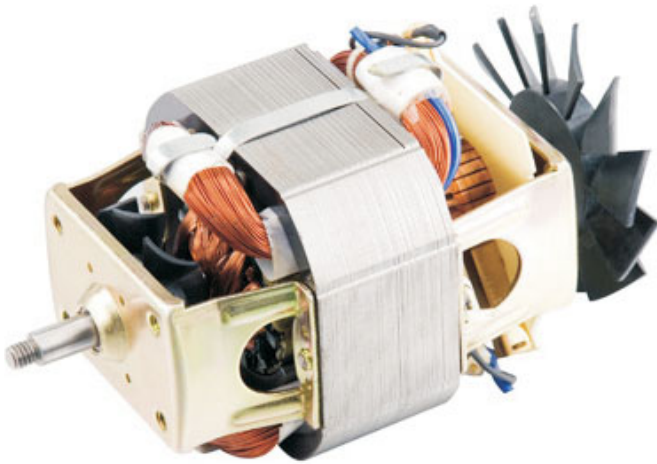


TECHNICAL DATA

Model	Voltage (V)	Frequency (Hz)	No-Load			On-Load			Input power (W)	Output power (W)	Eff (%)
			Speed (rpm)	Current (A)	Power (W)	Speed (rpm)	Torque (N.m)	Current (A)			
UC88-30	220	50/60	18200	0.572	125	7365	0.299	2.207	456	230.6	50.5

Remark: We can produce according to customers requirement.

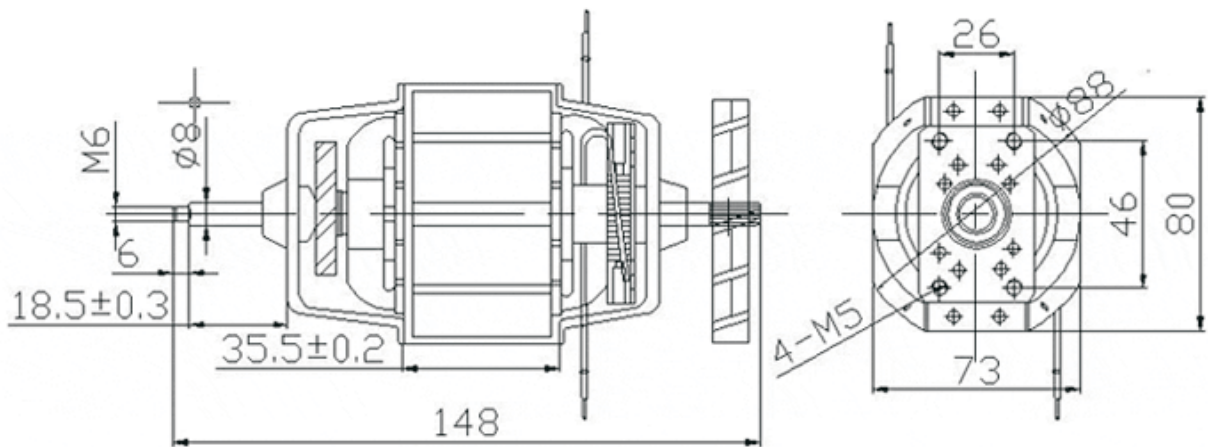
UC88-35 UNIVERSAL MOTOR



APPLICATION—

- Air pump
- Mower
- Door operator
- Harvester
- Handy sander and so on

MECHANICAL DIMENSIONS

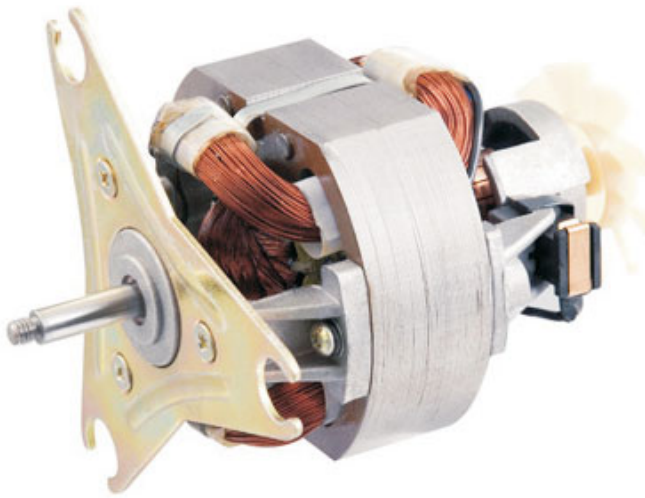


TECHNICAL DATA

Model	Voltage (V)	Frequency (Hz)	No-Load			On-Load			Input power (W)	Output power (W)	Eff (%)
			Speed (rpm)	Current (A)	Power (W)	Speed (rpm)	Torque (N.m)	Current (A)			
UC88-35	220	50/60	17600	0.826	179	6988	0.414	3.021	602	302.9	50.3

Remark: We can produce according to customers requirement.

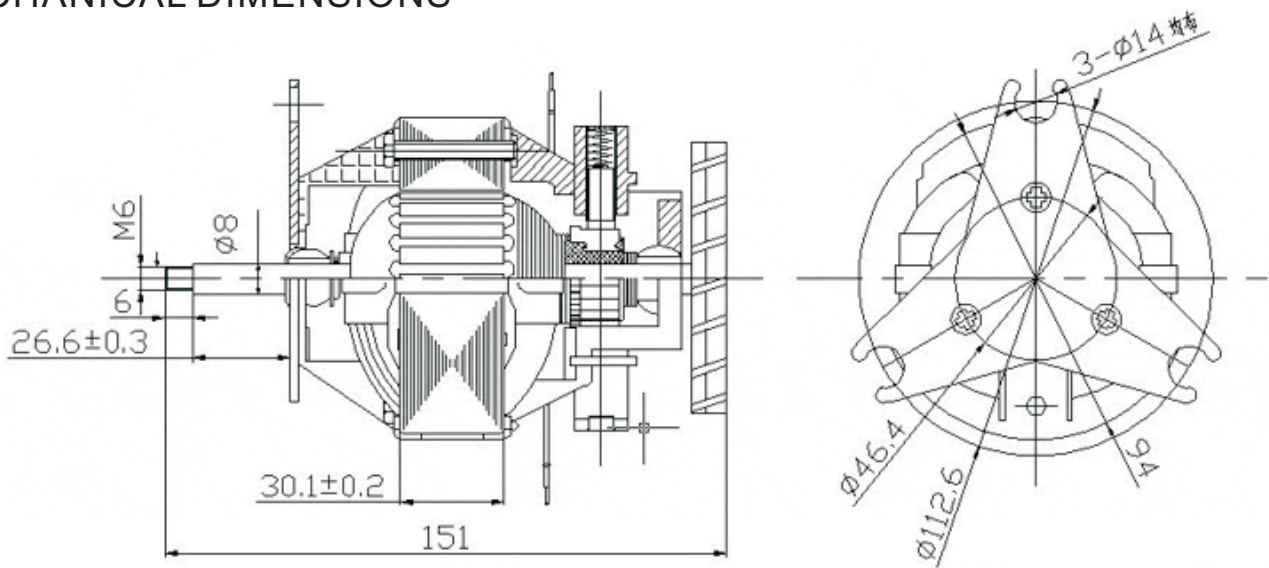
UC94-30 UNIVERSAL MOTOR



APPLICATION—

- Air pump
- Sander
- Door operator
- Harvester
- Alarm apparatus
- Water pump and so on

MECHANICAL DIMENSIONS



TECHNICAL DATA

Model	Voltage (V)	Frequency (Hz)	No-Load			On-Load			Input power (W)	Output power (W)	Eff (%)
			Speed (rpm)	Current (A)	Power (W)	Speed (rpm)	Torque (N.m)	Current (A)			
UC94-30	220	50/60	17000	0.56	122	5800	0.315	1.75	356	187	52.5
UC94-30	127	60	17500	1.112	139	6661	0.366	4.46	501	255.3	50.9

Remark: We can produce according to customers requirement.

GUANGZHOU HAOQING MOTOR CO.,LTD

E-mail: sherry@gzhqmotor.com

Website: <http://www.gzhqmotor.com>